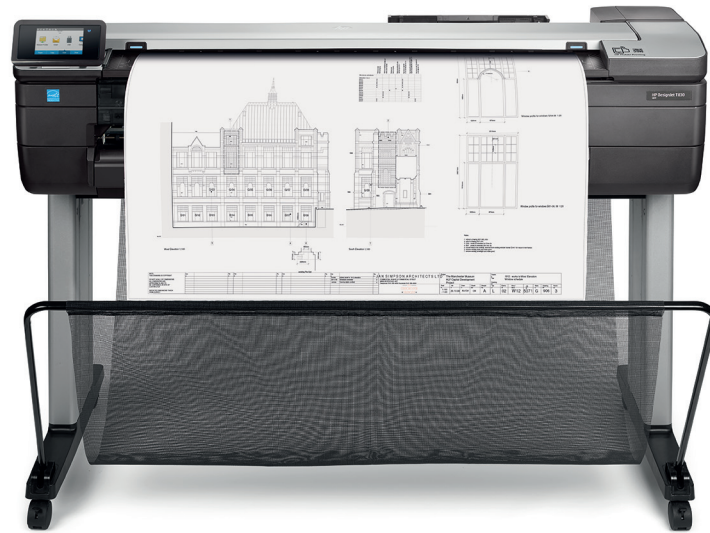


# HP DesignJet T830 Multifunction Printer



Print, scan, copy, and share – robust, compact 91.4 cm Wi-Fi MFP for office and construction



## ROBUST – Damage-resistant for offices and job sites

- Half the size<sup>2</sup>, built to last – this robust MFP handles activity at challenging sites, even construction.
- Produces prints 3 times faster than previous HP models – see A1-size prints delivered in 25 seconds.
- Choose from 40- to 300-ml HP ink cartridges to fit your print volume, large supplies can reduce interventions.
- Transport and onsite dust, damage protection with optional HP DesignJet Rugged Case.<sup>3</sup>

## CONVENIENT – Easy operation helps users save time

- Complete tasks intuitively – almost 3 times faster vs other devices<sup>4</sup> – one touchscreen works like a smartphone.
- Cut waste by 50% – print at half scale with automatic sheet feeder/tray; cut extra work, waste of wide rolls.<sup>5</sup>
- No LAN needed – move this MFP any time, any place your Wi-Fi signal can reach with wireless connectivity.<sup>6</sup>

## COLLABORATION – Mobile print/scan for team sharing

- Use integrated scanning to capture and share feedback, enable archiving, and more.
- The printer creates its own Wi-Fi network for easy connectivity with Wi-Fi Direct.
- Conveniently scan, share, print right from your smartphone or tablet<sup>6</sup>; enjoy a smartphone-like experience.
- Manage scans from your mobile device with the HP AiO Printer Remote app<sup>7</sup>, enabled by HP Mobile Printing.

<sup>1</sup> Based on 91.4 cm (36-inch) Wi-Fi integrated MFPs available in the market as of September, 2015.

<sup>2</sup> The HP DesignJet T830 Multifunction Printer is the most compact 91.4 cm (36-inch) device performing large-format print/scan/copy functions and is at least half the size (without the legs) based on H x W x L specifications published as of September, 2015.

<sup>3</sup> Available as of January, 2016. The render shown for the HP DesignJet Rugged Case is based on a preliminary product design, final design details may vary.

<sup>4</sup> Usability compared to competitive alternatives and based on internal HP testing and methodology in September, 2015 evaluating ease-of-use for first-time users comparing the time and additional assistance required to complete the task of copying a color A0-size document and scaling it down to A3 size on the HP DesignJet T830 Multifunction Printer with a single touchscreen compared to using a separate printer and standalone scanner.

<sup>5</sup> Printing on sheets eliminates the extra work and cutting waste of printing on performance equivalent roll-based printers in the market as of September, 2015. For example, printing at half scale (34.3 cm/13.5 inches) on a typical (91.4 cm/36-inch) roll results in over 50% paper waste and additional labour to cut.

<sup>6</sup> Local printing requires mobile device and printer to be on the same network (usually Wi-Fi access points bridge wireless to wired connections) or have a direct wireless connection. Wireless performance is dependent on physical environment and distance from access point. Wireless operations are compatible with 2.4 GHz operations only. Remote printing requires an Internet connection to an HP web-connected printer. Wireless broadband use requires separately purchased service contract for mobile devices. Check with service provider for coverage and availability in your area. See <http://www.hp.com/go/designjetmobility> for more details.

<sup>7</sup> The HP All-in-One Printer Remote mobile app is available for Apple® iPad, iPhone, and iPod Touch running iOS v7.0 or later and for Android™ mobile devices running Android™ v4.4 or later. The HP All-in-One Printer Remote mobile app is available for free from the Apple® App Store for Apple® mobile devices and from the Google Play Store for Android™ mobile devices.

# HP DesignJet T830 Multifunction Printer

## Technical specifications

### Print

Line Drawings	25 sec/page; 82 A1 prints per hour
Print resolution	Up to 2400 x 1200 optimised dpi
Margins (top x bottom x left x right)	Roll: 5 x 5 x 5 x 5 mm Sheet: 5 x 5 x 5 x 5 mm
Technology	HP Thermal Inkjet
Ink types	Dye-based (C, M, Y); Pigment-based (K)
Ink colours	4 (cyan, magenta, yellow, black)
Ink drop	6 pl (C, M, Y); 12.6 pl (K)
Print head nozzles	1376
Print Heads	1 (cyan, magenta, yellow, black)
Line accuracy	+/- 0.1% (+/- 0.1% of the specified vector length or +/- 0.2 mm (whichever greater) at 23°C (73°F), 50-60% relative humidity, on AO/E HP Heavyweight media in Best or Normal mode with Original HP inks)
Minimum line width	0.02 mm (HP-GL/2 addressable)
Guaranteed minimum line width	0.07 mm (ISO/IEC 13660:2001 (E))
Maximum media roll weight	6.2 kg
Maximum optical density	8 L* min/2.10 D

### Media

Handling	Sheet feed, roll feed, input tray, media bin, automatic cutter
Types	Bond and coated paper (bond, coated, heavyweight coated, recycled, plain, bright white), technical paper (natural tracing, vellum), film (clear, matte), photographic paper (satin, gloss, semigloss, premium, polypropylene), self-adhesive (adhesive, polypropylene)
Size	Input tray: 210 x 279 to 330 x 482 mm; Manual feed: 330 x 482 to 914 x 1897 mm; Roll: 279 to 914 mm
Thickness	Up to 11.8 mil

### Scan

Scan speed	Up to 3.81 cm/sec (colour, 200 dpi); Up to 11.43 cm/sec (greyscale, 200 dpi)
Scan resolution	Up to 600 dpi
Scan size maximum	914 mm x 2.77 m

### Copy

Reduction/enlargement	25 to 400%
Maximum copies	Up to 99 copies
Copy settings	Content type; Lighter/Darker; Background noise removal; Background colour removal; Blue print invert; Translucent media; Colour; Scan full width (36-in); Auto De-skew; Long plots; Resize; Copy Margins; Quality

### Memory

RAM	1 GB
Hard disk	None

### Connectivity

Interfaces (standard)	Gigabit Ethernet (1000Base-T); Wi-Fi; Hi-Speed USB 2.0 certified connector
Interfaces (optional)	HP USB 3.0 to Gigabit Adapter
Print languages (standard)	HP-GL/2, HP-RTL, TIFF, JPEG, CALS G4, HP PCL 3 GUI, URF
Drivers included	HP-GL/2, HP-RTL drivers for Windows; HP PCL 3 GUI driver for Mac OS X and Windows

### Environmental ranges

Operating temperature	5 to 40°C
Storage temperature	-25 to 55°C
Operating humidity	20 to 80% RH
Storage humidity	0 to 95% RH

### Acoustic

Sound Pressure	48 dB(A)
Sound Power	6.5 B(A)

### Dimensions (w x d x h)

Printer	1403 x 629 x 1155 mm
Packaged	1578 x 575 x 646 mm

### Weight

Printer	62.5 kg
Packaged	85 kg

### Power consumption

Maximum	35 watts (printing), 3.5 watts (sleep), 0.2 watts (standby)
Power requirements	Input voltage (auto ranging): 100 to 240 VAC (+/- 10%), 50/60 Hz (+/- 3 Hz), 1.2 A max

### What's in the box

F9A30A	HP DesignJet T830 MFP; Printhead; Ink cartridges; Printer stand; Spindle; Quick reference guide; Setup poster; Startup software; Power cord; Refeed preventers
--------	--

### Certification

Safety	USA and Canada (CSA certified); EU (LVD and EN60950-1 compliant); Russia (EAC); Singapore (PSB); China (CCC); India (BIS)
Electromagnetic	Compliant with Class B requirements, including: USA (FCC rules), Canada (ICES), EU (EMC/R&TE Directives), Australia (ACMA), New Zealand (RSM), China (CCC), Japan (VCCI); Certified as Class A product: Korea (KCC)

### ENERGY STAR

ENERGY STAR	Yes
-------------	-----

### Warranty

Warranty	One-year commercial hardware warranty
----------	---------------------------------------

## Ordering information

### Product

F9A30A	HP DesignJet T830 36-in Multifunction Printer
--------	---

### Accessories

B3Q37A	HP DesignJet T520 36-in Spindle
--------	---------------------------------

### Ink supplies

F9J61A	HP 728 40-ml Yellow DesignJet Ink Cartridge
F9J62A	HP 728 40-ml Magenta DesignJet Ink Cartridge
F9J63A	HP 728 40-ml Cyan DesignJet Ink Cartridge
F9J64A	HP 728 69-ml Matte Black DesignJet Ink Cartridge
F9J65A	HP 728 130-ml Yellow DesignJet Ink Cartridge
F9J66A	HP 728 130-ml Magenta DesignJet Ink Cartridge
F9J67A	HP 728 130-ml Cyan DesignJet Ink Cartridge
F9J68A	HP 728 300-ml Matte Black DesignJet Ink Cartridge
F9J81A	HP 729 DesignJet Printhead Replacement Kit
F9K15A	HP 728 300-ml Yellow DesignJet Ink Cartridge
F9K16A	HP 728 300-ml Magenta DesignJet Ink Cartridge
F9K17A	HP 728 300-ml Cyan DesignJet Ink Cartridge

### Service & support

UC744E	HP Installation Service with Network Setup
UTXV4E	HP Preventive Maintenance Service
UBPH3E	HP 3 year Next business day DesignJet T830 Hardware Support
UBTY9E	HP 4 year Next business day DesignJet T830 Hardware Support
UBPH4E	HP 5 year Next business day DesignJet T830 Hardware Support
UBPH5PE	HP 1 year Post Warranty Next business day DesignJet T830 Hardware Support
UBTZ0PE	HP 2 year Post Warranty Next business day DesignJet T830 Hardware Support

HP DesignJet Support Services offer solutions for business critical environments - installation, extended support and maintenance, as well as variety of value added services. For more information, please visit [hp.com/go/designjet/support](http://hp.com/go/designjet/support).

For more information about HP Care Packs, please visit [www.hp.com/go/cpc](http://www.hp.com/go/cpc)

Use Original HP inks and printheads to experience consistent high quality and reliable performance that enable less downtime. For more information, visit [hp.com/go/OriginalHPinks](http://hp.com/go/OriginalHPinks).



For the entire HP Large Format Printing Materials portfolio, please see [globalBMG.com/hp](http://globalBMG.com/hp).

For more HP Large Format Media substrates and sizes please visit us online at: <http://www.hp.com/go/designjet/supplies>

